

# DC TO DC CONVERTER 10A

## Instruction Manual

Please read user manual before use.

### SPECIFICATION

INPUT VOLTAGE RANGE : 20~30V DC

OUTPUT VOLTAGE RANGE : 12V~13.8V DC

STANDBY INPUT CURRENT : < 20mA

CONTINUE OUTPUT POWER : 10A

MAX. OUTPUT POWER: 15A

EFFICIENCY : 90%

COOLING : BY AIR CONVECTION

INPUT POLARITY REVERSE : DIODE PROTECTION

OUTPUT POLARITY REVERSE : CIRCUIT PROTECTION

OVER HEATING : CIRCUIT PROTECTION

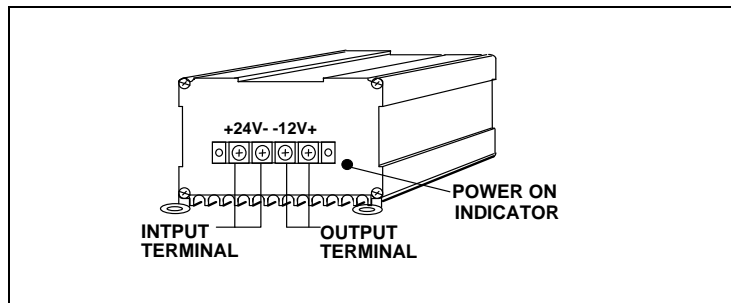
OVER LOAD : CIRCUIT PROTECTION

OUTPUT SHORT : CIRCUIT PROTECTION

FUSE : 10A

DIMENTION ( L\*W\*H) mm : 70\*73\*45

WEIGHT : 260g



# DC TO DC CONVERTER 10A

## Instruction Manual

Please read user manual before use.

### SPECIFICATION

INPUT VOLTAGE RANGE : 20~30V DC

OUTPUT VOLTAGE RANGE : 12V~13.8V DC

STANDBY INPUT CURRENT : < 20mA

CONTINUE OUTPUT POWER : 10A

MAX. OUTPUT POWER: 15A

EFFICIENCY : 90%

COOLING : BY AIR CONVECTION

INPUT POLARITY REVERSE : DIODE PROTECTION

OUTPUT POLARITY REVERSE : CIRCUIT PROTECTION

OVER HEATING : CIRCUIT PROTECTION

OVER LOAD : CIRCUIT PROTECTION

OUTPUT SHORT : CIRCUIT PROTECTION

FUSE : 10A

DIMENTION ( L\*W\*H) mm : 70\*73\*45

WEIGHT : 260g

